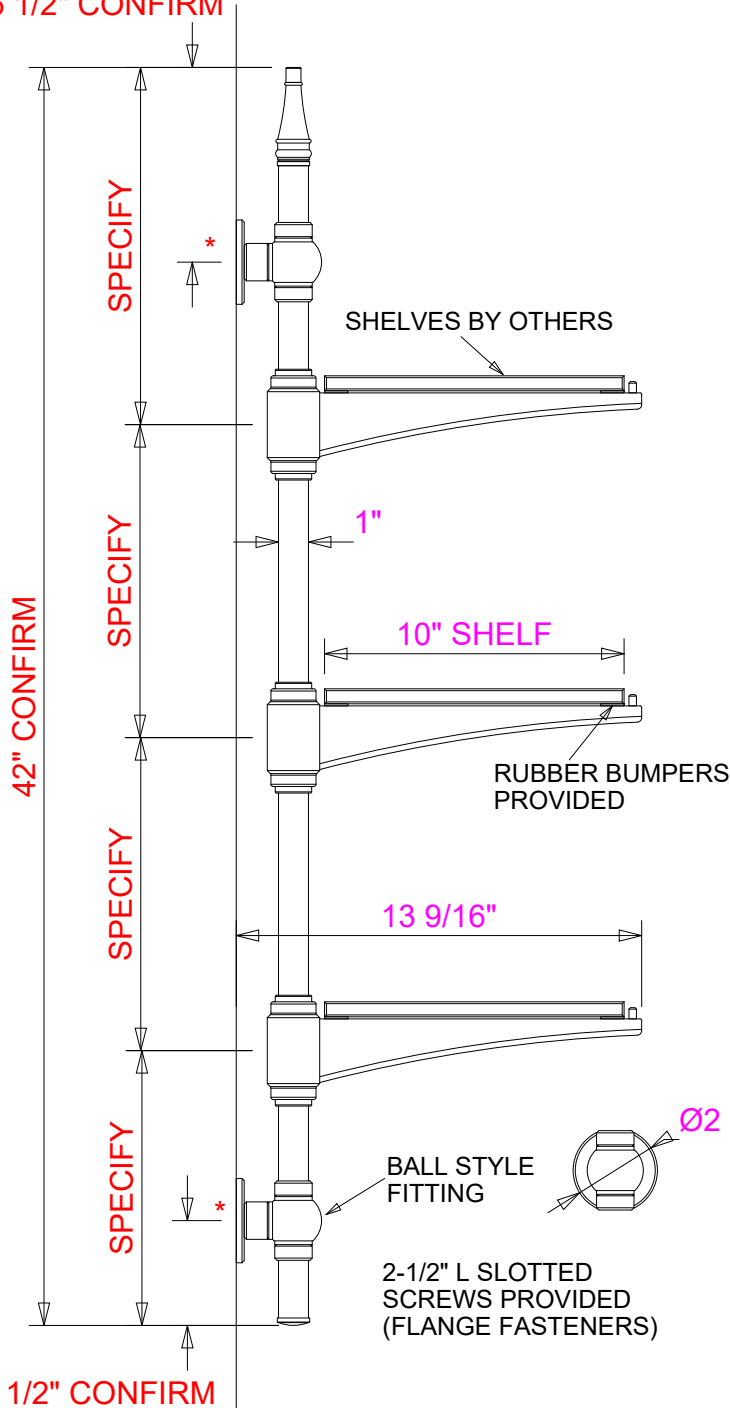


6 1/2" CONFIRM



(4) VERTICAL STANTIONS  
 WITH (3) ARMS EACH

POLISHED NICKEL FINISH

SPECIFY

SPECIFY

SPECIFY

SPECIFY

SHELVES BY OTHERS

1"

10" SHELF

RUBBER BUMPERS PROVIDED

13 9/16"

Ø2 13/16" FLANGE

BALL STYLE FITTING

2-1/2" L SLOTTED SCREWS PROVIDED (FLANGE FASTENERS)

\* MINIMUM 1 1/2"-THICK SOLID WOOD BLOCKING REQUIRED AT THESE LOCATIONS

3 1/2" CONFIRM

**RACK** | CANTILEVER  
 S H E L V I N G

3 Bays - 3 Shelves  
 4 Back Posts Wall Mounts  
 Button & Steeple Finials

Drawing # 3247