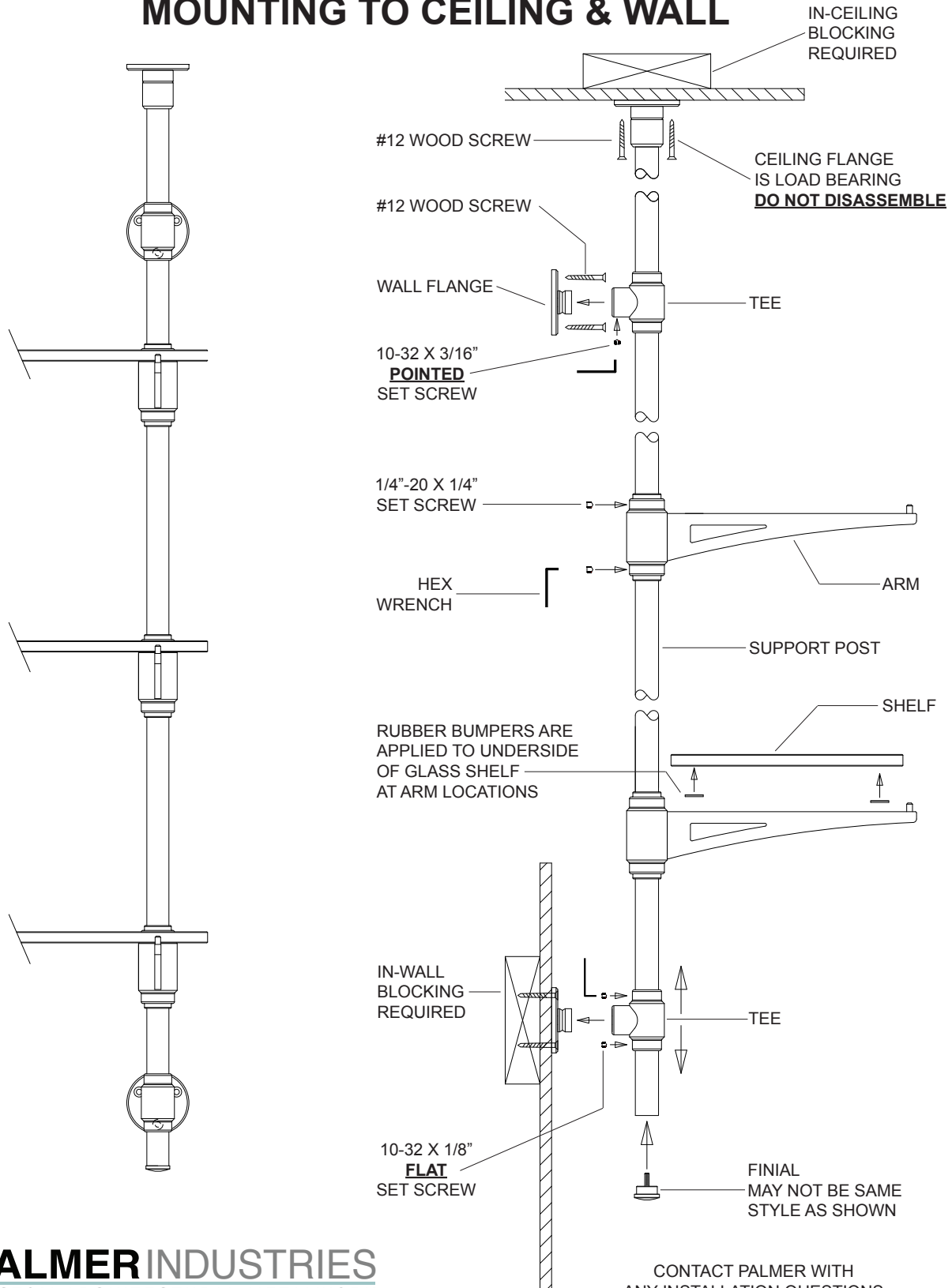


# SHELVING SYSTEM ASSEMBLY INSTRUCTIONS

# RACK | CANTILEVER SHELVING

PALMER INDUSTRIES  
**EDGE** SHELVING  
SYSTEMS

## MOUNTING TO CEILING & WALL



**PALMER INDUSTRIES**  
CUSTOM ARCHITECTURAL METALWORK

CONTACT PALMER WITH  
ANY INSTALLATION QUESTIONS  
401- 421-1730

rev: 093019

# SHELVING SYSTEM ASSEMBLY INSTRUCTIONS

**RACK** | CANTILEVER  
S H E L V I N G

PALMER INDUSTRIES  
**EDGE** SHELVING  
S Y S T E M S

## MOUNTING TO CEILING & WALL

CAREFULLY UNPACK AND INSPECT YOUR PALMER PRODUCT.

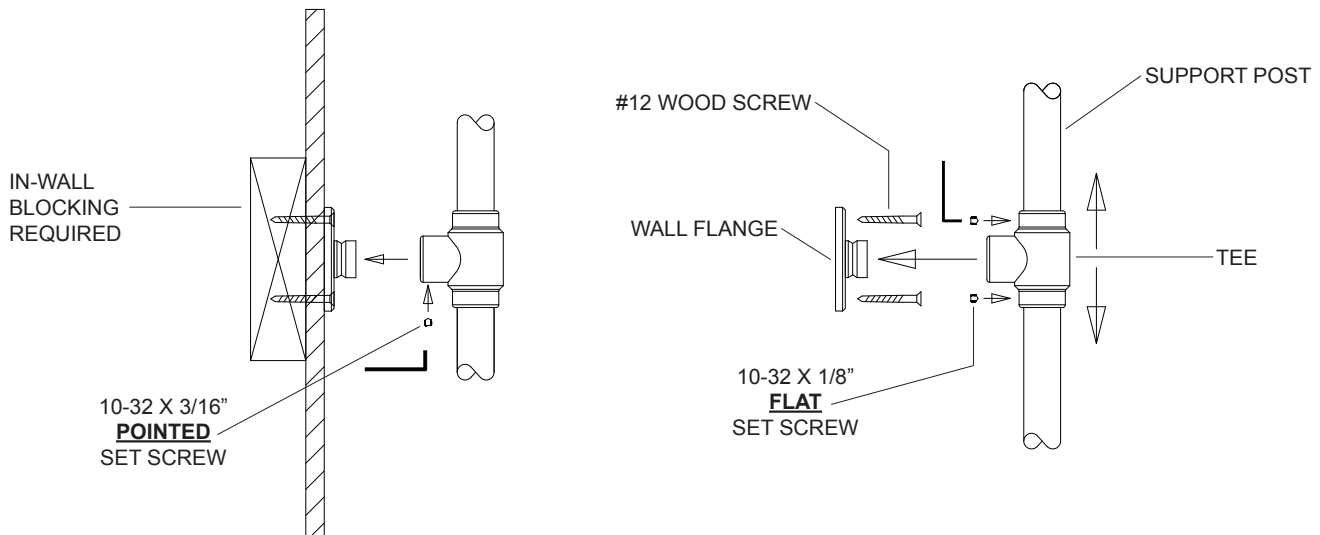
THE SHELVING UNIT SHOULD BE CAREFULLY ASSEMBLED ON A CLEAN AND PADDED SURFACE TO AVOID ANY SCRATCHING OR DAMAGE. FOR UN-LACQUERED BRASS FINISHES, PLEASE WEAR CLEAN GLOVES TO PREVENT FINGERPRINTS.

- 1 ASSEMBLE THE COMPONENTS ONTO THE SUPPORT POSTS AND SPACE ACCORDING TO THE CUSTOMER DRAWING. POSITION THE CEILING AND WALL FLANGES SO THAT THEY ARE IN ALIGNMENT WITH THE SOLID WOOD BLOCKING. MAKE SURE THE COMPONENTS ARE BURR FREE AND THE SET SCREWS (IF INSTALLED) ARE BACKED OUT FAR ENOUGH TO AVOID SCRATCHING THE POSTS.

TIGHTEN THE SET SCREWS ONLY ENOUGH TO KEEP THE COMPONENTS FROM SLIDING - FINAL TIGHTENING AND ADJUSTING WILL BE DONE AFTER THE FLANGES HAVE BEEN SECURED TO THE WALL AND CEILING.

- 2 CAREFULLY PLACE THE POST ASSEMBLIES INTO POSITION ON THE WALL AND CEILING, AND MARK THE NECESSARY SCREW LOCATIONS. DRILL APPROPRIATE PILOT HOLES FOR THE SCREWS.

- 3 SEPARATE THE WALL FLANGES FROM THE TEES BY REMOVING THE 10-32 X 3/16" POINTED SET SCREWS. SECURE THE WALL FLANGES TO THE WOOD BLOCKING IN THE WALL WITH THREE #12 WOOD SCREWS EACH.



- 4 SECURE THE SUPPORT POSTS TO THE WALL FLANGES. THE TEES MAY BE ADJUSTED SLIGHTLY TO HELP LOCATE ONTO THE WALL FLANGES AND TO POSITION THE CEILING FLANGES. IT IS IMPORTANT THAT THE TEES ARE SECURED TO THE WALL FLANGES USING THE PROVIDED 3/16" POINTED SET SCREWS.

SECURE THE CEILING FLANGES TO THE CEILING WITH THREE #12 WOOD SCREWS EACH.

WHEN ALL COMPONENTS ARE PROPERLY ALIGNED, TIGHTEN SET SCREWS SECURELY.

- 5 POSITION ARMS AND TIGHTEN 1/4"-20 SET SCREWS.

rev: 093019