

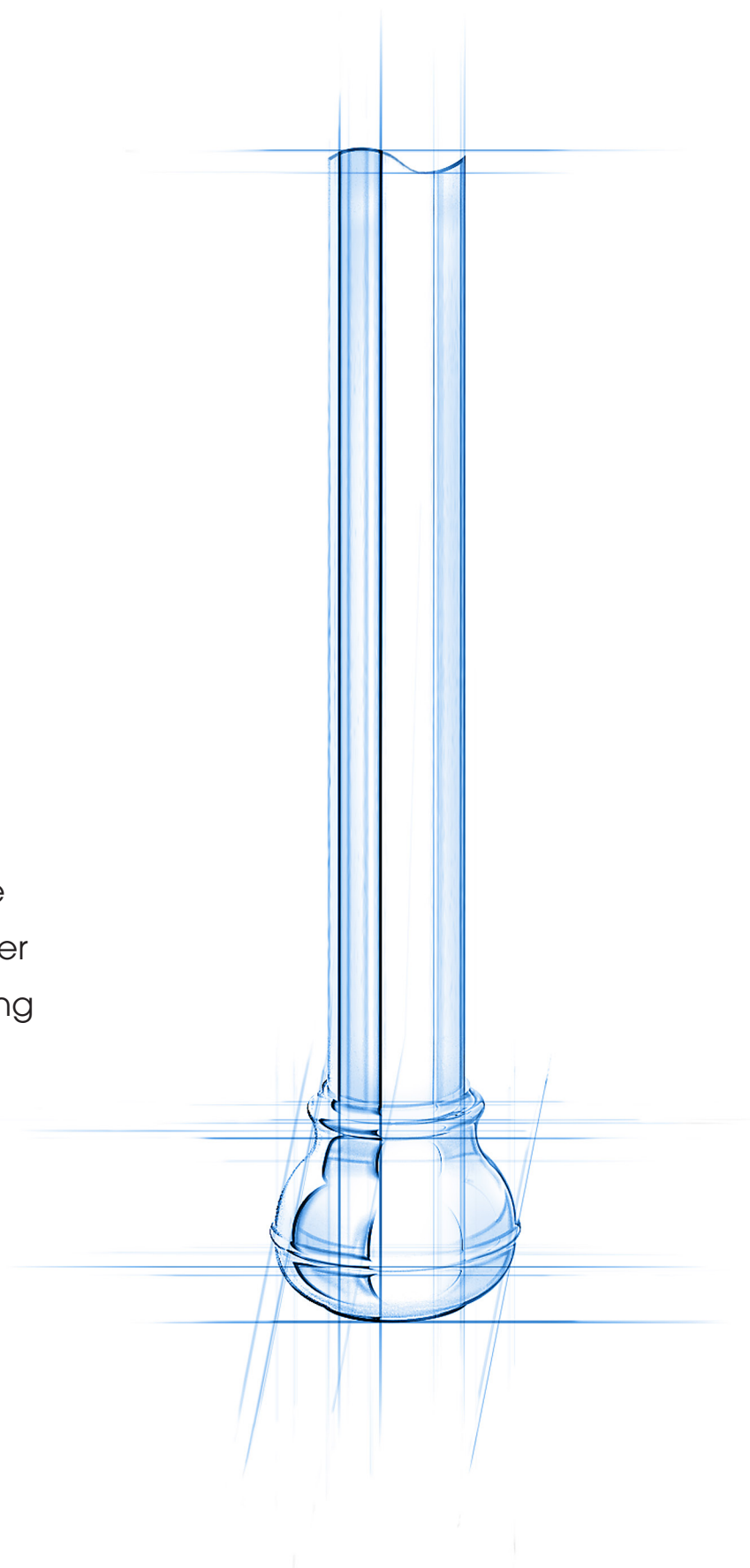


BUN FOOT

MODEL LS2B

The heft and solid footing of the Bun Foot leg system, both robust and refined, provide the perfect foundation and sophistication for vanity tops. The bun foot has long been a classic architectural feature in fine furniture design, and coordinates perfectly with the Palmer ball or “knuckle-style” corner joint, seen often in antique plumbing fixtures.

Palmer Consoles are completely modular and custom built to any design and leg configuration



American Manufacturing



Warwick, Rhode Island