

required entries are shown in red

401-421-1730

M-F 9-5 EST

email: [orders@palmerindustries.com](mailto:orders@palmerindustries.com)

**Dealer:** \_\_\_\_\_ **Date:** \_\_\_\_\_

**Purchase Order #:** \_\_\_\_\_ **Model #:** \_\_\_\_\_

**Contact Person** (for questions about this order): \_\_\_\_\_

**Phone:** \_\_\_\_\_ **email:** \_\_\_\_\_

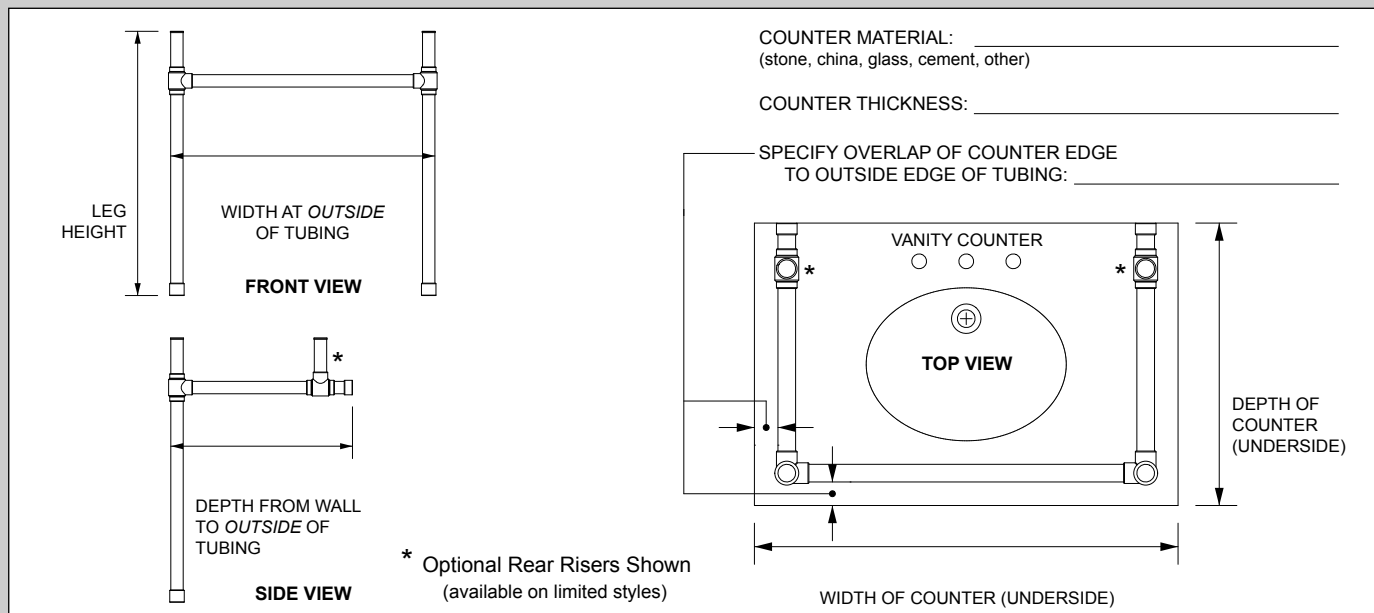
**Notes:**

**SELECT FINISH**

PC - Polished Chrome	PN - Polished Nickel	SN - Satin Nickel
PBUL - Polished Brass Un-Lacquered	ABUL - Aged Brass Un-Lacquered	ORB - Oil Rubbed Bronze
OTHER - Specify: _____		

**OPTIONS & ACCESSORIES**

<b>TOWEL SHELF:</b>	Tubular Metal: <b>TS</b>	Standard Glass: <b>GS-SC</b>	Low-Iron Glass: <b>GS-LI</b>	Teak Wood: <b>WS</b>
<b>SHELF SUPPORTS:</b>	Rail: <b>SS_R</b>	Low Profile: <b>SS_LP</b>	Glass Clip: <b>SS_GC</b>	Split Collar: <b>SS_SC</b>
<b>FRONT RISER:</b>	<b>FR</b> (1 riser - centered)	<b>FR</b> (2 risers)		
<b>SPLIT DIAMETER:</b>	<b>SD</b>			
<b>ADA:</b>	<b>ADA</b>			
<b>CURVED CROSSBAR:</b>	<b>CURV</b>			
<b>CLEAR ACRYLIC ROD:</b>	Horizontals Only: <b>ACRH</b>	Legs Only: <b>ACRL</b>	Horizontals, Legs, & Risers: <b>ACRHL</b>	
<b>REEDED TUBING:</b>	Horizontals Only: <b>RTH</b>	Legs Only: <b>RTL</b>	Horizontals, Legs, & Risers: <b>RTHL</b>	
<b>HAMMERED BALLS:</b>	<b>HB</b> Special Instructions: _____			
<b>WALL BRACKET:</b>	Heavy Duty Aluminum: <b>WBHVY</b>	Solid Brass Finished: <b>WBSTDB</b>	(standard aluminum wall bracket included with all leg systems)	
<b>AUX TOWEL RAIL:</b>	Left Side: <b>TRL</b>	Right Side: <b>TRR</b>		
<b>TP HOLDER:</b>	Left Side: <b>TPL</b>	Right Side: <b>TPR</b>		



**RUSH SERVICE REQUESTED:** please contact Palmer for Rush Service surcharges and policies

for Palmer dealers only

Signature: \_\_\_\_\_