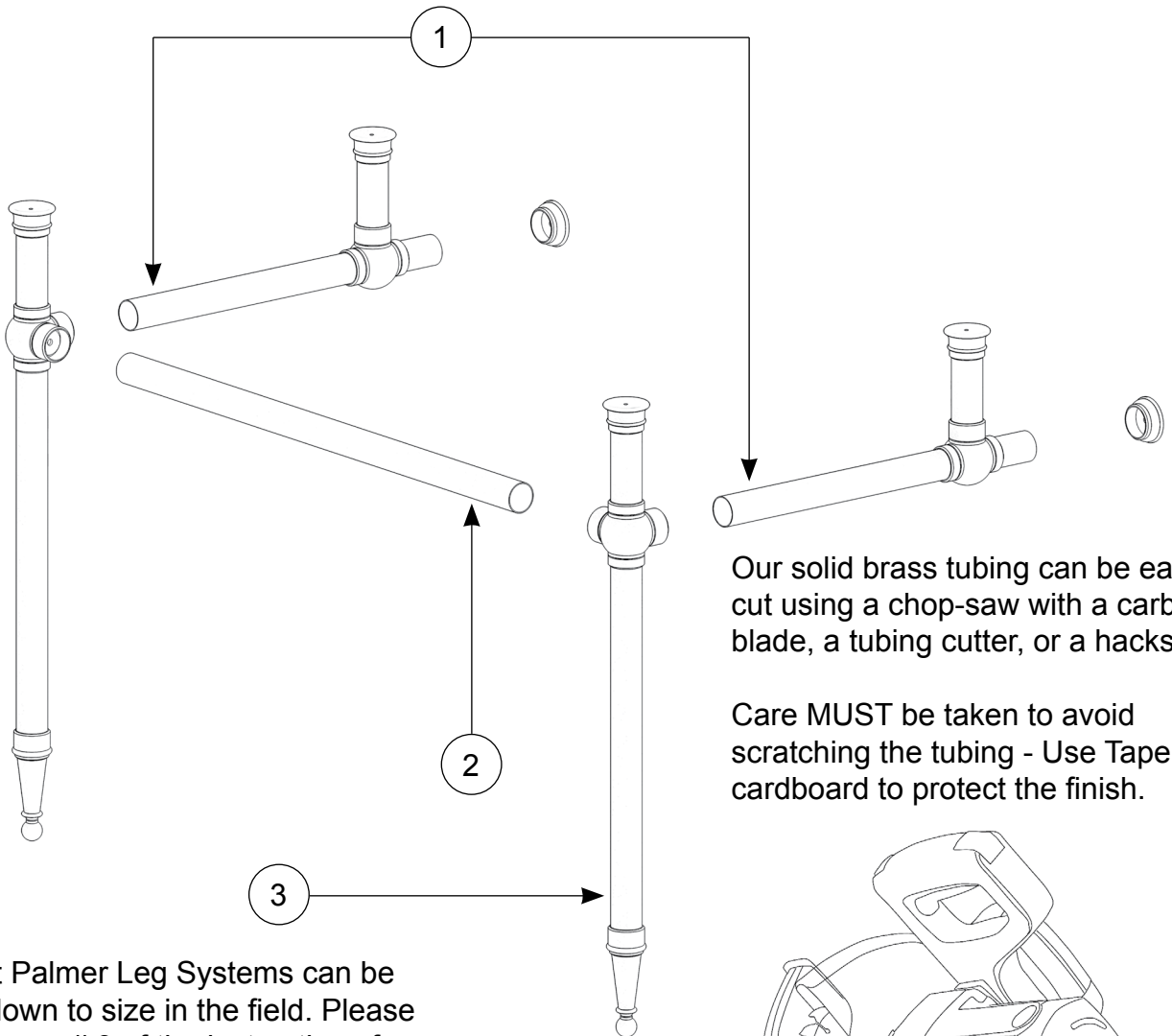




Field Cutting to Size

INSTALLATION INSTRUCTIONS

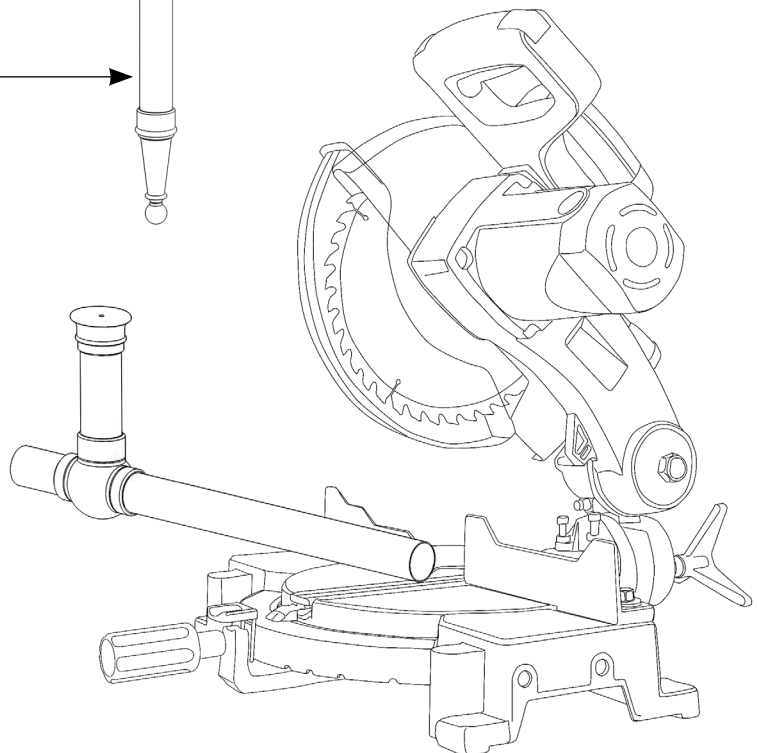


Our solid brass tubing can be easily cut using a chop-saw with a carbide blade, a tubing cutter, or a hacksaw.

Care **MUST** be taken to avoid scratching the tubing - Use Tape or cardboard to protect the finish.

Most Palmer Leg Systems can be cut down to size in the field. Please see page # 3 of the instructions for limitations.

1. To reduce depth, cut this end of horizontal Wall Returns and Shelf Supports.*
2. To reduce width, cut one end of the Horizontal Crossbar.**
3. To reduce height, see page #3 to determine which end of leg to cut.



* For Acrylic Wall Returns & Shelf Supports you must cut the wall end - remove and reposition rear Risers as needed.
** Acrylic Horizontals may not be field cut.