

Providence



LEG SYSTEM CONFIGURATIONS

1.5" TAPERED LEG TUBING

Width & Depth of Leg System determined by length of stone apron panels

<p>Order #: <input type="text"/></p> <p>Finish: <input type="text"/></p> <p>Inspector: <input type="text"/></p>	<div data-bbox="454 315 600 378" style="border: 1px solid black; padding: 5px; display: inline-block;">2-LEG</div> <p>Model: LS2P</p>
<div data-bbox="113 745 251 808" style="border: 1px solid black; padding: 5px; display: inline-block;">3-LEG</div> <p>Model: LS3P</p>	
<div data-bbox="113 1176 251 1239" style="border: 1px solid black; padding: 5px; display: inline-block;">4-LEG</div> <p>Model: LS4P</p>	
<div data-bbox="113 1606 251 1669" style="border: 1px solid black; padding: 5px; display: inline-block;">5-LEG</div> <p>Model: LS5P</p>	

rev: 020720

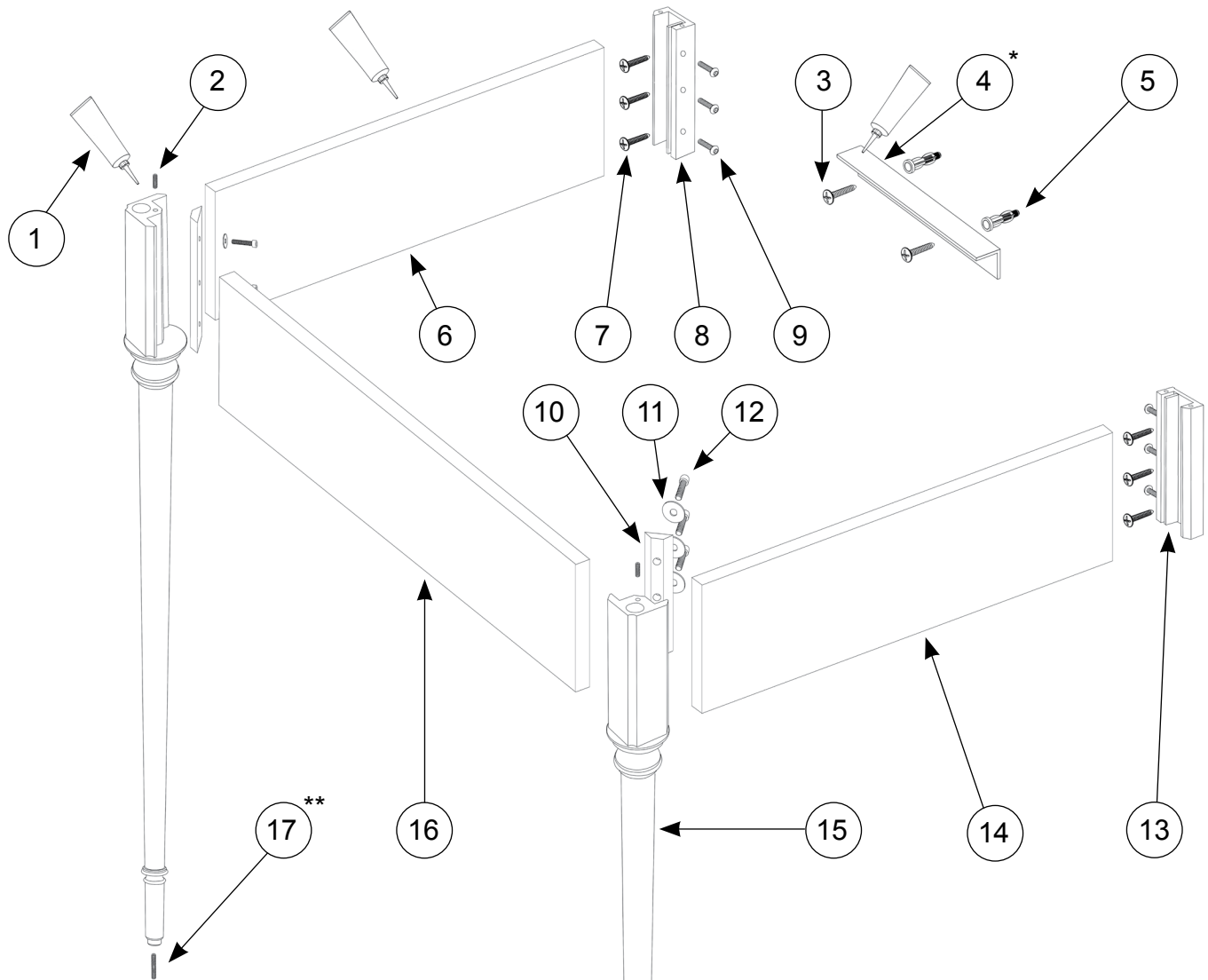
Providence



LEG SYSTEM CONFIGURATIONS

1.5" TAPERED LEG TUBING

Width & Depth of Leg System determined by length of stone apron panels



- | | |
|----------------------------------|------------------------------------|
| 1. Silicone Adhesive | 9. Clamp Screw |
| 2. Counter Pin | 10. Leg Clamp Plate |
| 3. Structural Screw | 11. Washer |
| 4. Wall Bracket* | 12. Cap Screw |
| 5. Wall Anchor | 13. Right Apron Wall Bracket Clamp |
| 6. Left Stone Apron | 14. Right Stone Apron |
| 7. SPAX Screw | 15. Leg Assembly |
| 8. Left Apron Wall Bracket Clamp | 16. Front Stone Apron |
| 17. Floor Pin** (same as #2) | |

* It is recommended that load bearing Wall Bracket (#4) be screwed into framing or blocking.

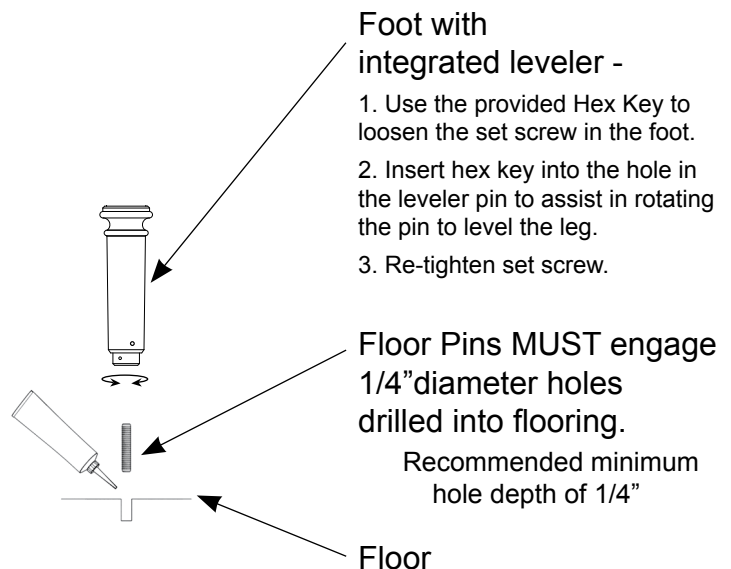
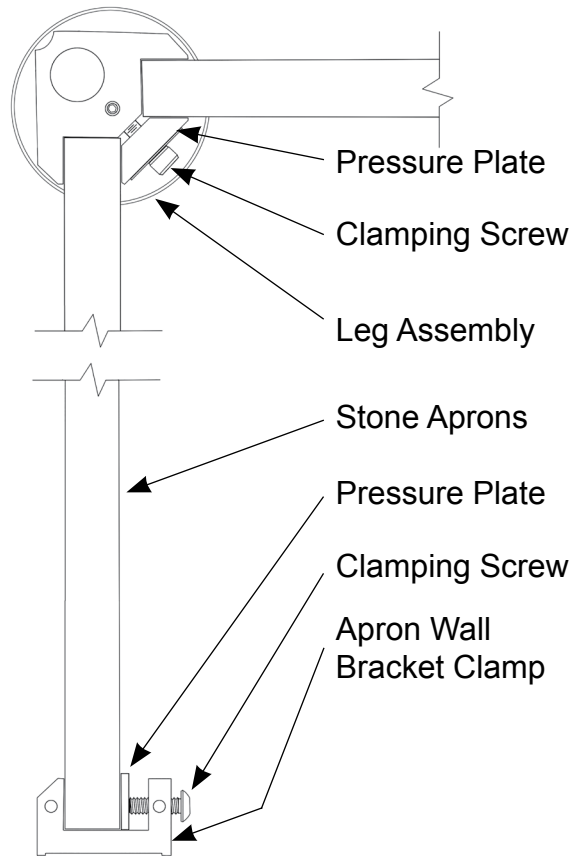
** Floor Pins (#11) MUST engage 1/4" diameter holes drilled into flooring

Note: Stone Apron Panels are not supplied by Palmer



INSTALLATION INSTRUCTIONS

- Determine that you have received the correct product before unpacking and unwrapping the leg system components.
- The leg system components must be protected from abrasion and scratching during installation. Use padding on the floor to protect your console during layout and assembly.
- The width & depth of the Providence style are determined by the lengths of the left, right, and front Stone Aprons. Stone Apron Panels provided by others.
- Verticals must be plumb and horizontals must be level. Side Stone Aprons and any Shelf Supports must be parallel, and square to the Front Stone Apron. Leg heights may need to be adjusted with the integrated leveler to achieve a level counter top.
- The Stone Aprons must be securely clamped to the Legs and the Apron Wall Bracket Clamps by firmly tightening the clamping screws. The Pressure Plates must not be omitted.
- Wall bracket must be secured solidly to the wall to bear the weight of the counter top.
- Legs **MUST** be pinned to the floor to prevent lateral movement.
- The counter top must be attached to the tops of the legs and the top edges of the Stone Aprons with silicone adhesive. Confirm that the installation is correct and complete and that the shelf, if included, fits properly before permanently gluing the counter top into place.



1. Use the provided Hex Key to loosen the set screw in the foot.
2. Insert hex key into the hole in the leveler pin to assist in rotating the pin to level the leg.
3. Re-tighten set screw.

SEE ADDITIONAL PAGES FOR INSTRUCTIONS SPECIFIC TO INCLUDED OPTIONS.



WALL BRACKET INSTALLATION INSTRUCTIONS

PROPER INSTALLATION OF THE PROVIDED ALUMINUM ANGLE WALL BRACKET(S) IS CRITICALLY IMPORTANT TO THE STRUCTURAL INTEGRITY OF OUR LEG SYSTEMS.

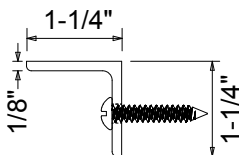
- Fastening the wall bracket to solid wood blocking in the wall is highly recommended. A MINIMUM OF (3) FASTENERS SHOULD BE USED. If solid blocking is not available, fasten bracket to stud framing in the wall. Use the included fasteners or fasteners of the appropriate length to engage sufficiently with the framing.
- The bracket has pre-drilled holes for easy fastening. However if the pre-drilled holes do not align with the stud framing in the wall, additional holes must be drilled into the bracket at the stud location(s).
- The wall bracket must be carefully positioned such that the top surface of the bracket is perfectly level with the top of ALL legs and risers.
- A generous bead of silicone (adhesive) must be applied to the top of the wall bracket and the tops of the legs (and rear risers if applicable) in order to secure the sink top.

TILE WALL / DRYWALL APPLICATIONS - Standard Wall Bracket

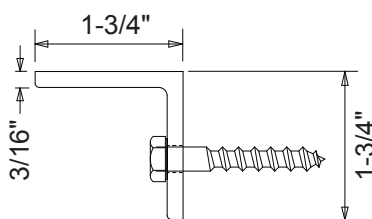
- If the stud locations can be determined, drill holes in the tile at these locations and use #12 screws of the appropriate length to engage with the framing at least 1-1/2".
- For non-stud locations, drill 9/32" holes into the tile and use the provided red anchors and #12 screws.

v

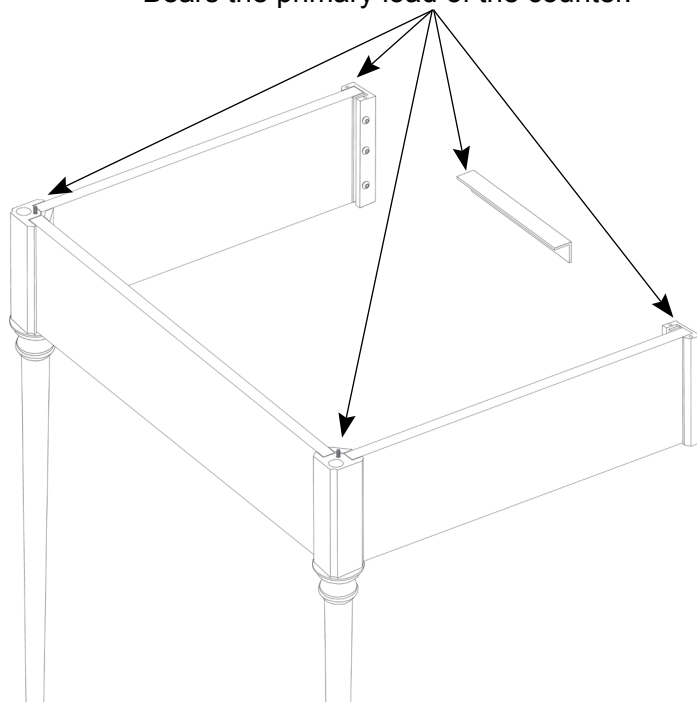
* Standard Wall Bracket



** Heavy Duty Wall Bracket



Bears the primary load of the counter.



rev. D