

The Leading Manufacturer of Vanity Sink Legs

Model Specification: LS2CXL

Style: Decorative Collar

This Palmer console leg system with ball fittings and Decorative Collars affords a traditional and timeless feel for today's finer bathrooms. The unique Palmer ball fitting, with its sharp lines and strong visual presence, provides a classic design element to this model. The decorative collar, repeated at the foot and under the ball fittings, adds an air of refinement and visual interest to this leg.

Product Description:

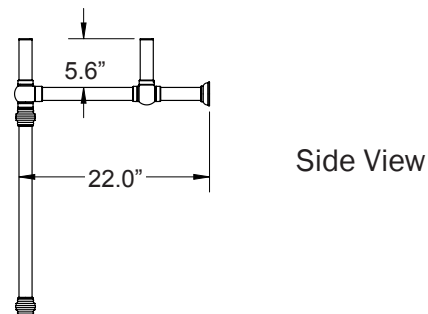
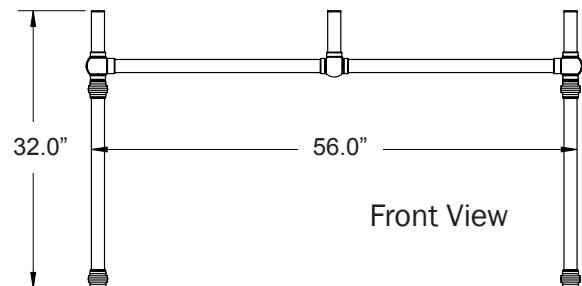
This 2-leg 1.5" model is designed for an EXTRA-WIDE single-sink vanity top. It has decorative collars at each foot and under each ball fitting, with flush caps at the top of each leg and riser. It has rear risers located at the back of the stand for additional support, and a single riser located in the middle of the front horizontal cross member. The standard size of this model will accommodate up to a 60" wide x 24" deep vanity top. Custom sizes are available.

Available Finishes:

- Polished Brass Unlacquered (PBUL)
- Polished Chrome (PC)
- Polished Nickel (PN)
- Satin Nickel (SN)
- Oil-Rubbed Bronze (ORB)
- **Custom finishes available.**

Notes:

- **Tube Diameter: 1.5 inches**
- *Width, depth, and height can be cut to desired size in the field with a chop saw or tubing cutter.*
- *All Palmer leg models are included with complete assembly instructions, wall support bracket, all mounting hardware, leveling shims, tile anchors, hex wrench, extra set screws, locating pins, silicone, and polish.*



Standard dimensions (inches) shown above.
Custom sizes and configurations are available.

Contact Us:

379 Charles St. Providence, RI 02904
tel 800.398.9676 & 401.421.1730 fax 401.421.4238

REV. 20110602